

PRODUCT CODE: MP40
CHANNEL BRACKET

DESCRIPTION

Small C Clamp c/w Cone Point

FINISH

Hot Dipped Galvanised

MATERIAL

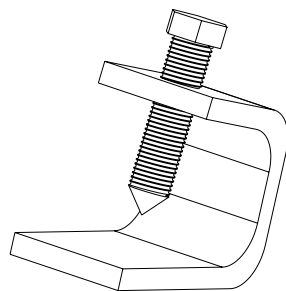
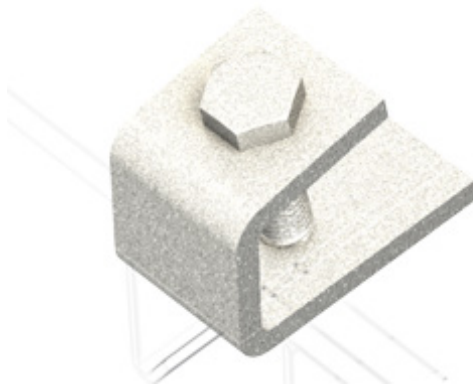
Steel

PACKAGING

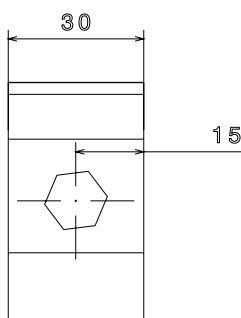
Packed in qty 50

ADDITIONAL NOTES

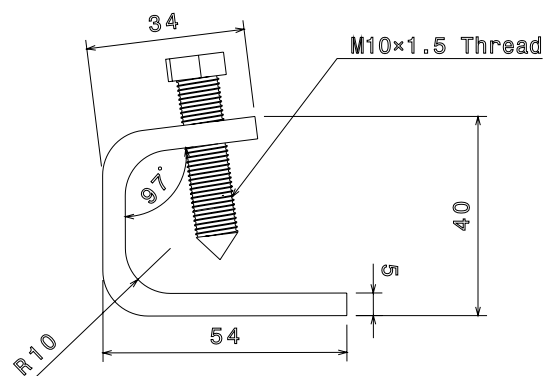
Supplied with M10 x 40mm 8.8HT BZP cone point bolt



Isometric view



Top view



Side view